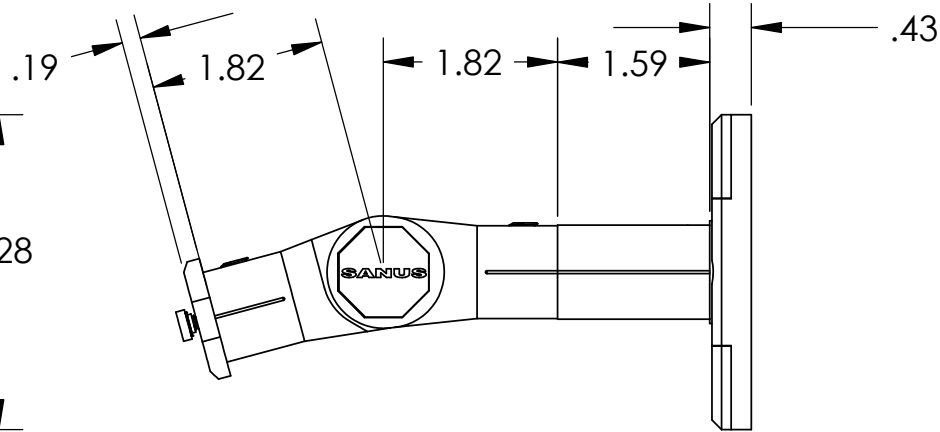
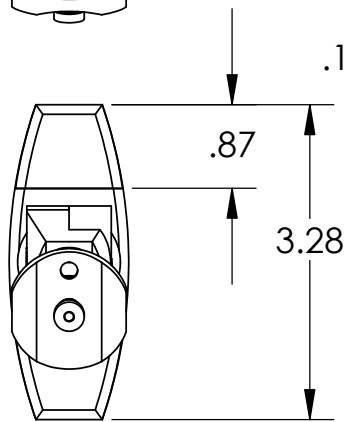
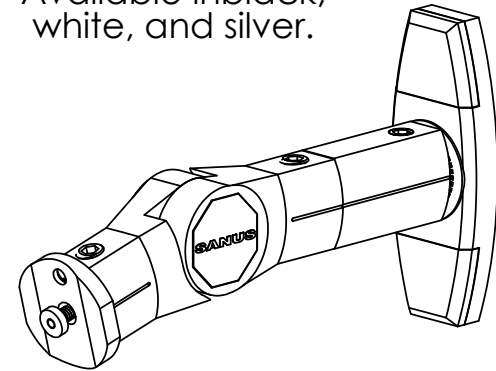


Maximum Speaker Capacity: 8lbs.

Available in black, white, and silver.



Compatibility
Single centered threaded insert on back
Double threaded inserts on back
Single key hole on back

	NAME	DATE	SANUS SYSTEMS	
DRAWN	NAS	9/27/05		
CHECKED			TITLE: WMS3	
ENG APPR.				
MFG APPR.				
Q.A.				
PROPRIETARY AND CONFIDENTIAL THE INFORMATION CONTAINED IN THIS DRAWING IS THE SOLE PROPERTY OF SANUS SYSTEMS. ANY REPRODUCTION IN PART OR AS A WHOLE WITHOUT THE WRITTEN PERMISSION OF SANUS SYSTEMS IS PROHIBITED.			Speaker Wall Mounts	
			SCALE: 1:2	SHEET 1 OF 1