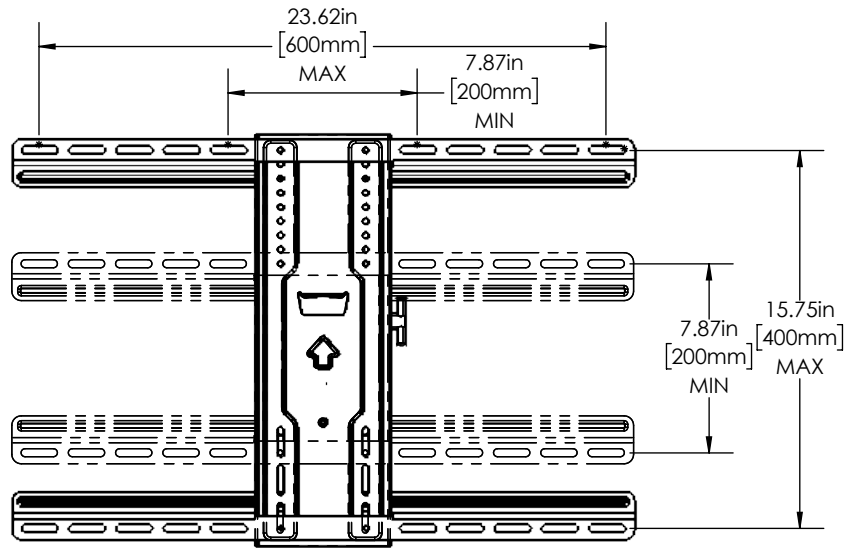


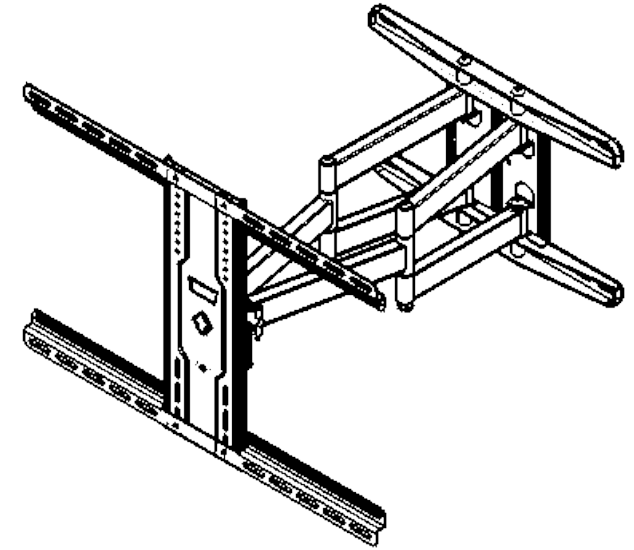
### TV INTERFACE



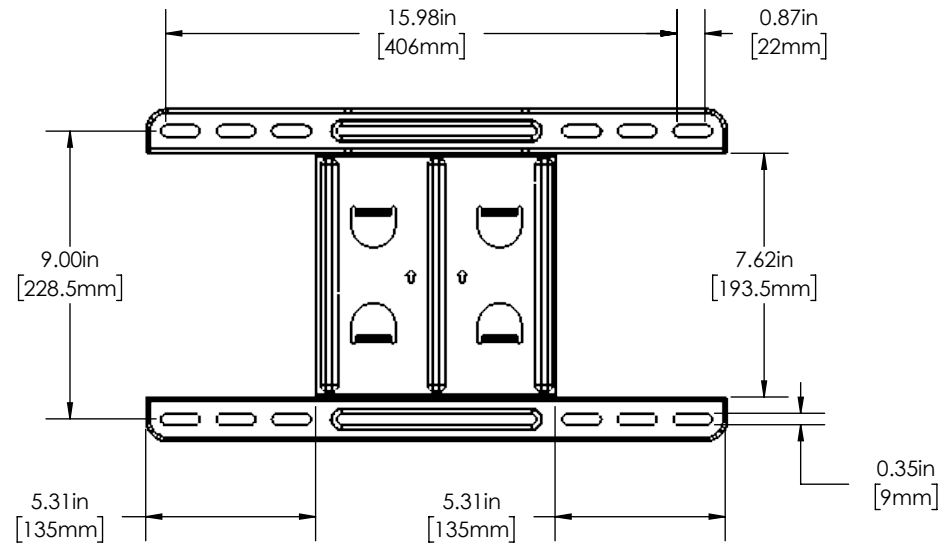
## LARGE FULL MOTION 22[558.8] EXT 6805-002336-XXX

THE INFORMATION AND DESIGNS CONTAINED IN THIS DRAWING ARE CONFIDENTIAL AND THE PROPRIETARY PROPERTY OF LEGRAND | AV. NEITHER THIS DESIGN NOR ANY INFORMATION CONTAINED IN THIS DRAWING MAY BE REPRODUCED OR DISCLOSED TO OTHERS WITHOUT THE EXPRESS WRITTEN CONSENT OF LEGRAND | AV. 本图纸所包含的信息和设计均系 LEGRAND | AV 机密和知识产权, 本图纸包含的设计和信息未经 LEGRAND | AV 书面同意均不得复制或 者泄露给他人

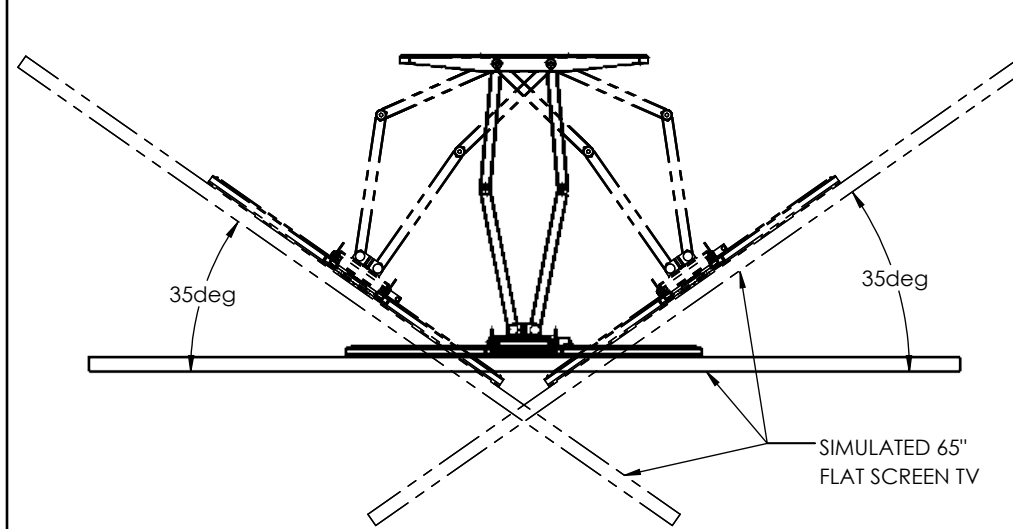
### 3-D



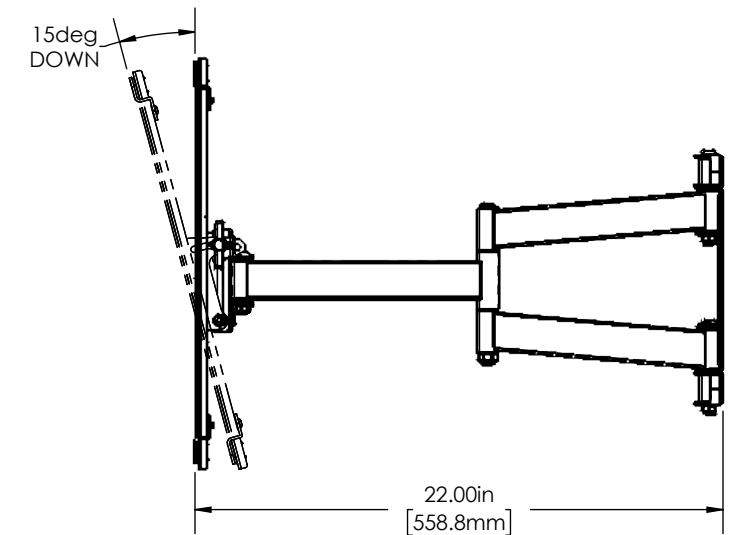
### WALL PLATE



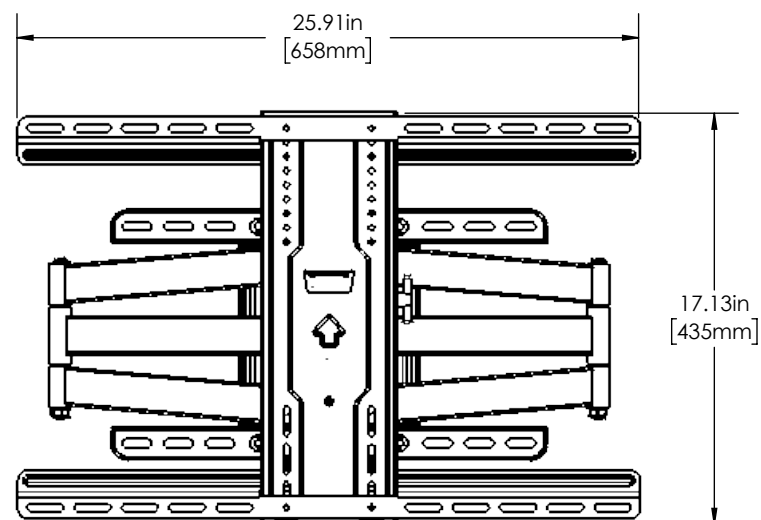
### TOP VIEW - SWIVEL



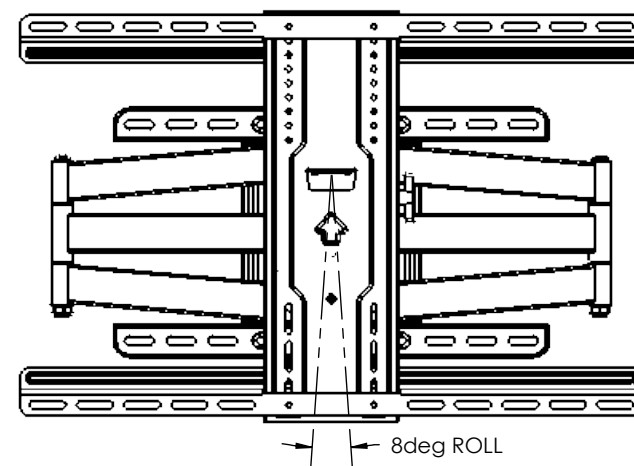
### SIDE VIEW - EXTENSION/TILT



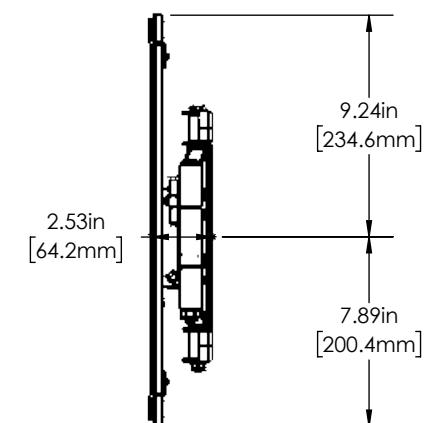
### FULLY ASSEMBLED MOUNT



### FRONT VIEW - ROLL



### SIDE VIEW - RETRACTED



# LARGE FULL MOTION 22[558.8] EXT 6805-002336-XXX

