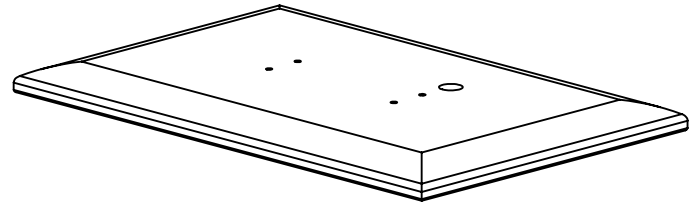
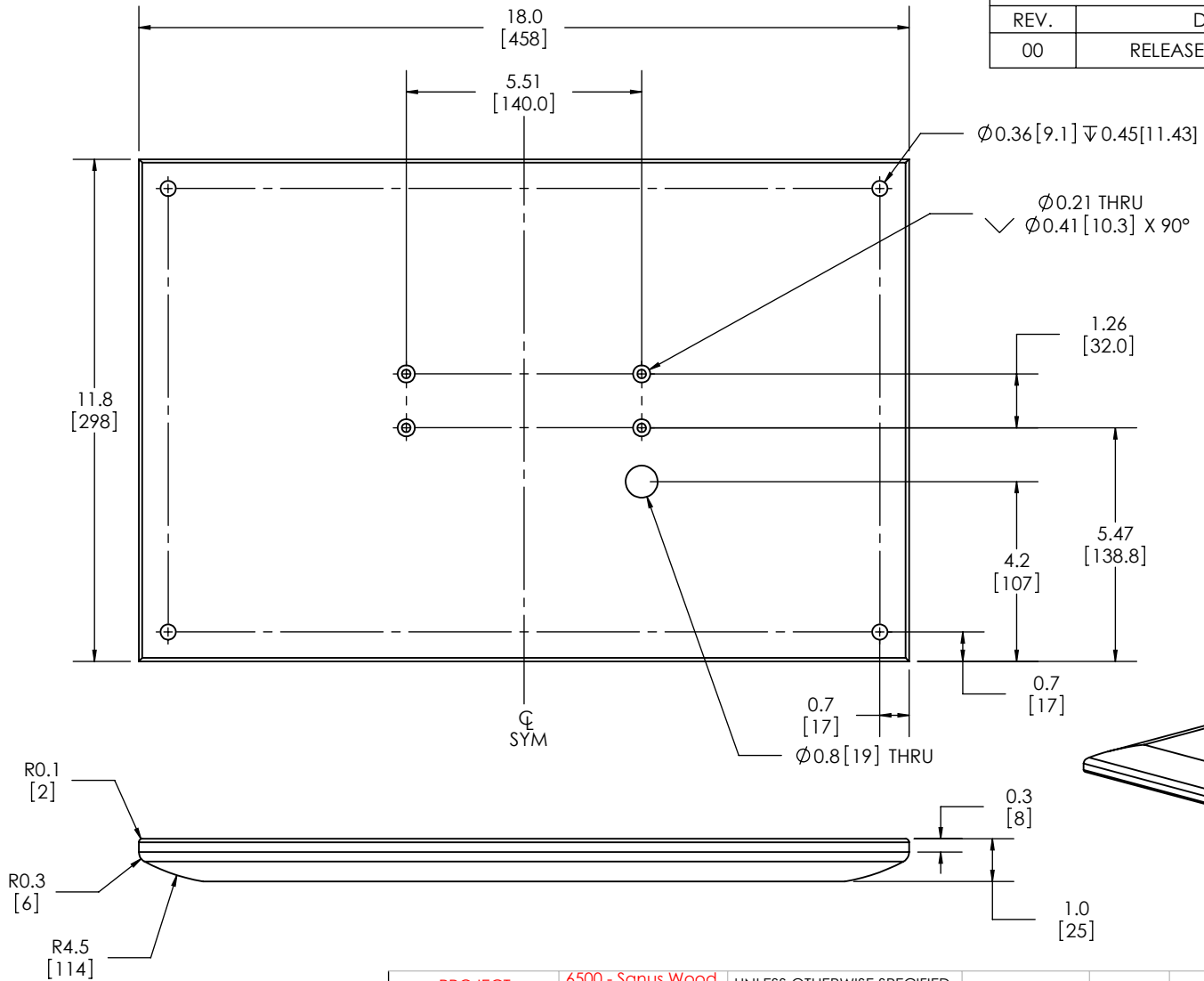


REVISIONS				
REV.	DESCRIPTION	DATE	INITIALED	ECO
00	RELEASE FOR PRODUCTION	3/18/2008	JKV	5782



PROJECT	6500 - Sanus Wood	UNLESS OTHERWISE SPECIFIED:	NAME	DATE
SANUS PART NO.	6500-000167-XXX	[X] ±2.5mm .X ±.100	ENGINEER	JKV 3/18/2008
LEGACY PART NO.	N/A	[X.X] ±.75mm .XX ±.030	DESIGNER	
DEBURR	YES	[X.XX] ±.25mm .XXX ±.010	APPROVED	
PURCHASING SPEC	8900-000001	[X.XXX] ±.13mm .XXXX ±.005	COMMENTS:	
MATERIAL & FINISHING SPEC	8900-000002	ANGULAR: ±0°30'		
EXTRUSION DIE	N/A	INTERPRET GEOMETRIC TOLERANCING PER:		
EXTRUSION DIE REV.	N/A	MATERIAL		
TEMPLATE REV:	05	FINISH		
		DO NOT SCALE DRAWING		

SANUS SYSTEMS

TITLE: **NFC18 BASE**

SIZE **A** DWG. NO. **6500-000167-XXX** REV **00**

SCALE: 1:4 SHEET 1 OF 1

PROPRIETARY AND CONFIDENTIAL
 THE INFORMATION CONTAINED IN THIS DRAWING IS THE SOLE PROPERTY OF SANUS SYSTEMS, A PRODUCT DIVISION OF MILESTONE AV TECHNOLOGIES. ANY REPRODUCTION IN PART OR AS A WHOLE WITHOUT THE WRITTEN PERMISSION OF SANUS SYSTEMS IS PROHIBITED.